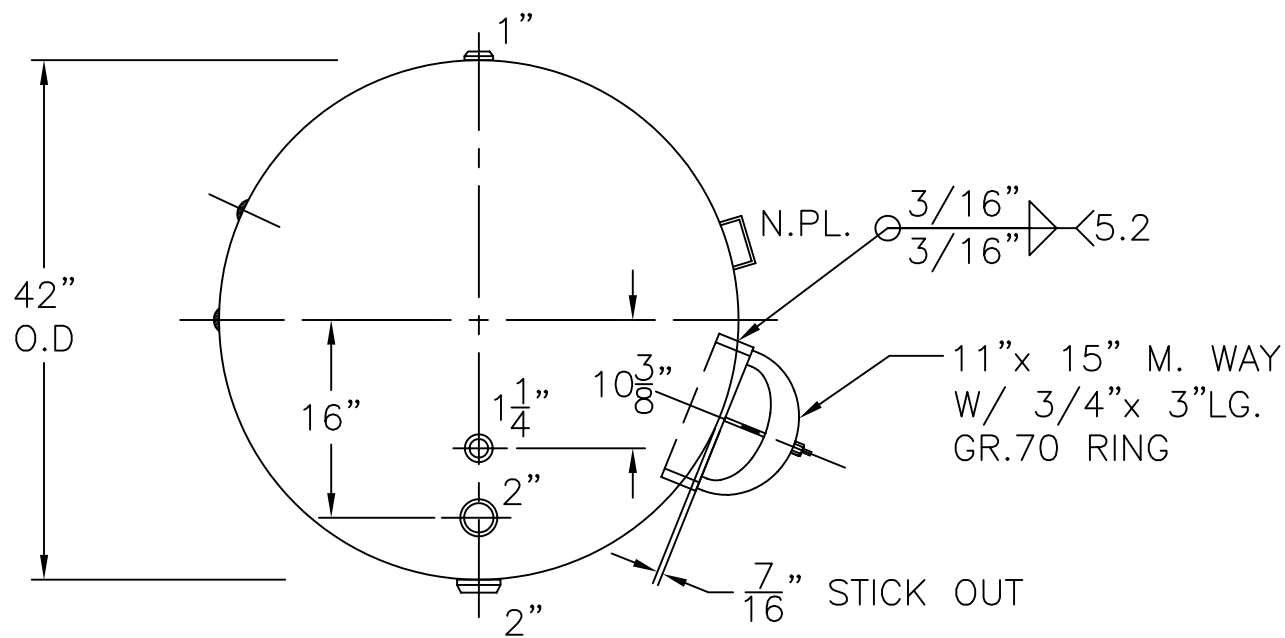


SOLAR FEET PER:  
 S-42-660-H-1C

- 3) SHIP LOOSE W/(2) 1  $\frac{5}{16}$ " x 36" LG. RIGID MAG. ANODES.
- 2) 4-1-04 PROOF TEST.

NOTE: 1) HYDRO @ 240 PSIG.



VIEW W/OUT SUPT'S

HEADS	.205" SA-455 2:1 S.E.	GS-42-600-H	REV. 9-16-04
	JOGGLE		DATE: 5-15-90
SHELL	.175" SA-414-G	FOR: HANSON STANDARD	
		HORIZ. HOT WATER TANK	
		SURFACE AREA = 105.4 SQ. FT.	
	M.A.W.P. 160 PSIG. @ 210 °F	INSIDE: GLASS LINED	
		OUTSIDE: PRIME	
	ASME. SECTION IV 2001 ADD 2003	CAD "B" SIZE UNDER "STD"-SERIES	
	X-RAY: RT-NO / H.L.W.	BY: J.G.	SCALE: 3/4"=12"
	GALLONS: 600 WT. 983 LBS.	<b>ROY E. HANSON JR. MFG.</b>	
	SERIAL NO.	1924 COMPTON AVE.	
	N.B.	LOS ANGELES, CA 90011	