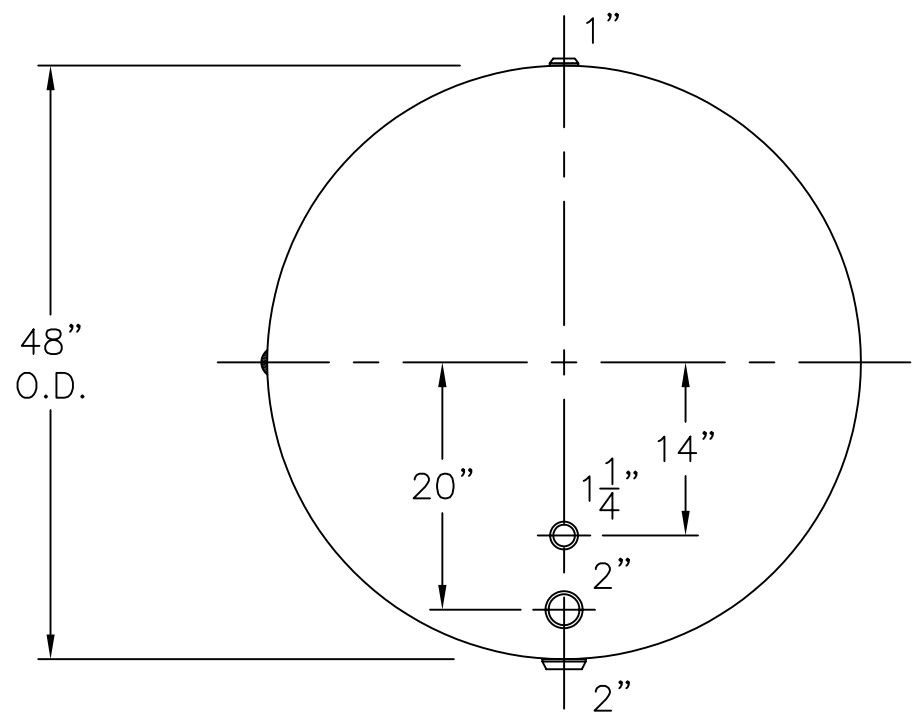


3) SHELL: 4-22-04 PROOF TEST.
2) HYDRO @ 240 PSIG. MIN.
NOTE: 1) SHIP LOOSE W/ (2) 1 5/16" x 48" LG. FLEX. MAG. ANODES.



END VIEW W/O SUPPORTS

HEADS	.245" SA-455 2:1 S.E.	GS-48-712-H	REV. 9-17-04
	(.230" MIN.) JOGGLE		DATE: 5-15-90
SHELL	.200" SA-455	FOR: HANSON STANDARD	
		HORIZ. HOT WATER TANK	
M.A.W.P. 160 PSIG. @ 210 °F		SURFACE AREA = 113.0 SQ. FT.	
ASME SECTION IV 2001 ADD. 2003		INSIDE: GLASS LINED	
X-RAY: RT-NO/H.L.W.		OUTSIDE: PRIME	
GALLONS: 712 WT. 1159 LBS.		CAD-"B" UNDER "STD"-SERIES	
SERIAL NO.		BY: E.S. SCALE: 3/4"=12"	
		ROY E. HANSON JR. MFG.	
		1924 COMPTON AVE. LOS ANGELES, CA 90011	