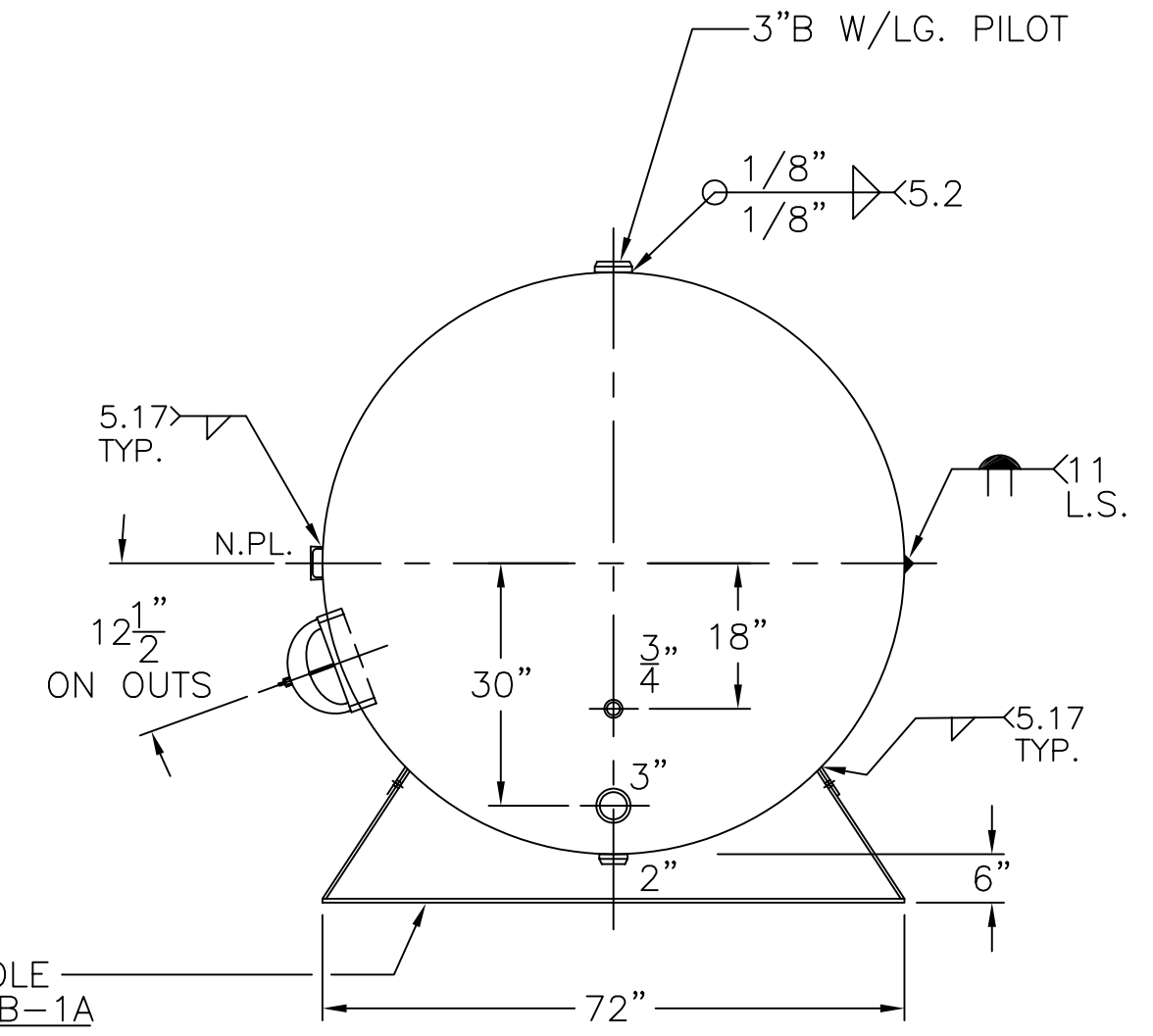
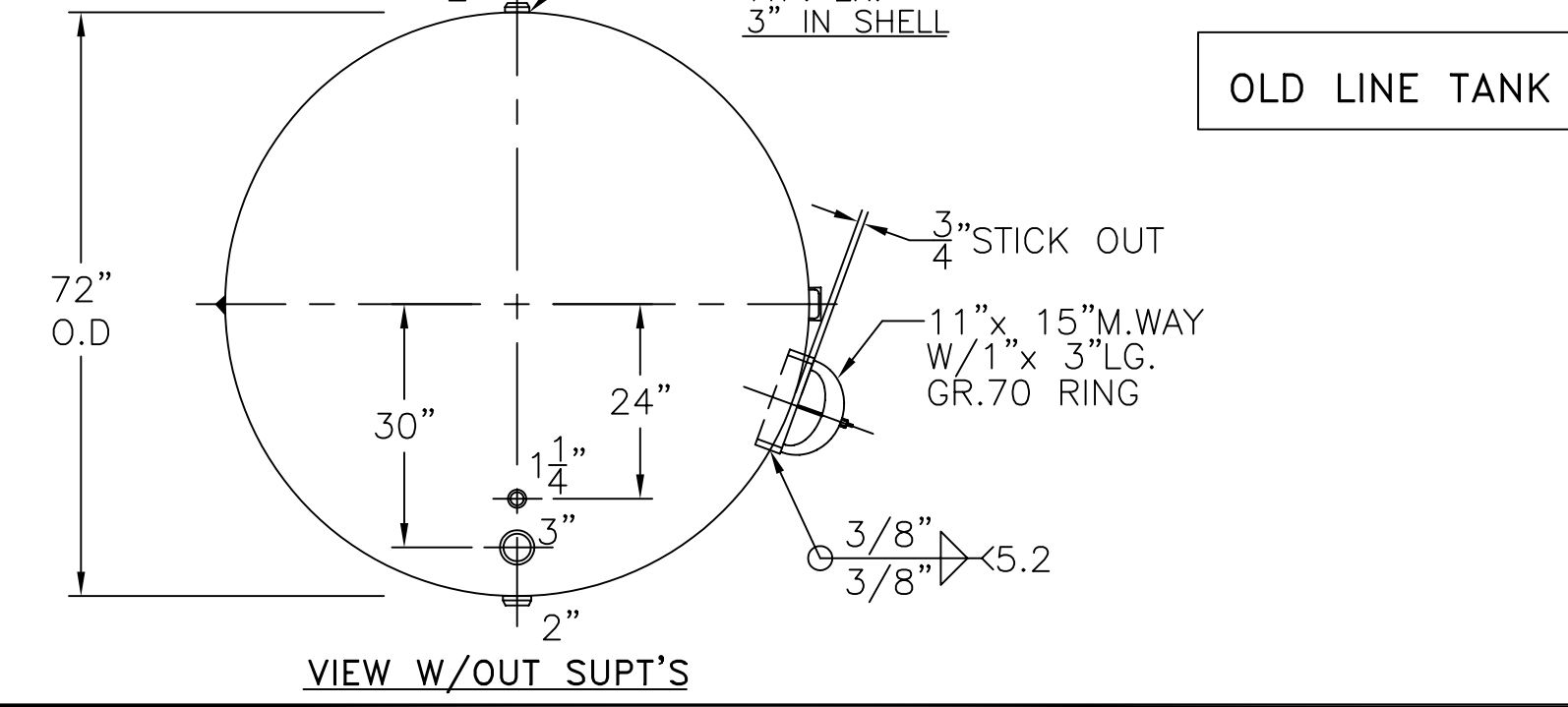


1" SOLAR L.LUG (2) PLC'S
 1/4" <5.18 TYP.



BOLT-ON SADDLE PER: WI-577-B-1A



OLD LINE TANK

2) SHIP LOOSE W/(3) 1 5/16" x 71" LG. FLEX. MAG. ANODES.
 NOTE. 1) HYDRO @ 188 PSIG. MIN. TO 197 PSIG. MAX.

HEADS	.280" SA-455 2:1 S.E. (.238" MIN.)	GS-72-2150-H	REV. 4-15-03
			DATE: 5-21-90
SHELL		FOR: HANSON TANK	
		HORIZ. WATER TANK.	
	.288" SA-455	SURFACE AREA = 232.0 SQ.FT.	
		INSIDE: GLASS LINED	
	M.A.W.P. 125 PSIG. @ 200 °F	OUTSIDE: PRIME	
	ASME. SECTION IV 2001 ADD 2002	CAD "B" SIZE UNDER "STD"-SERIES	
	X-RAY: RT-NO/H.L.W.	BY: J.G.	SCALE: 1/2"=12"
	GALLONS: 2150	WT. 3237 LBS.	ROY E. HANSON JR. MFG.
	SERIAL NO.	1924 COMPTON AVE.	
	N.B.	LOS ANGELES, CA 90011	