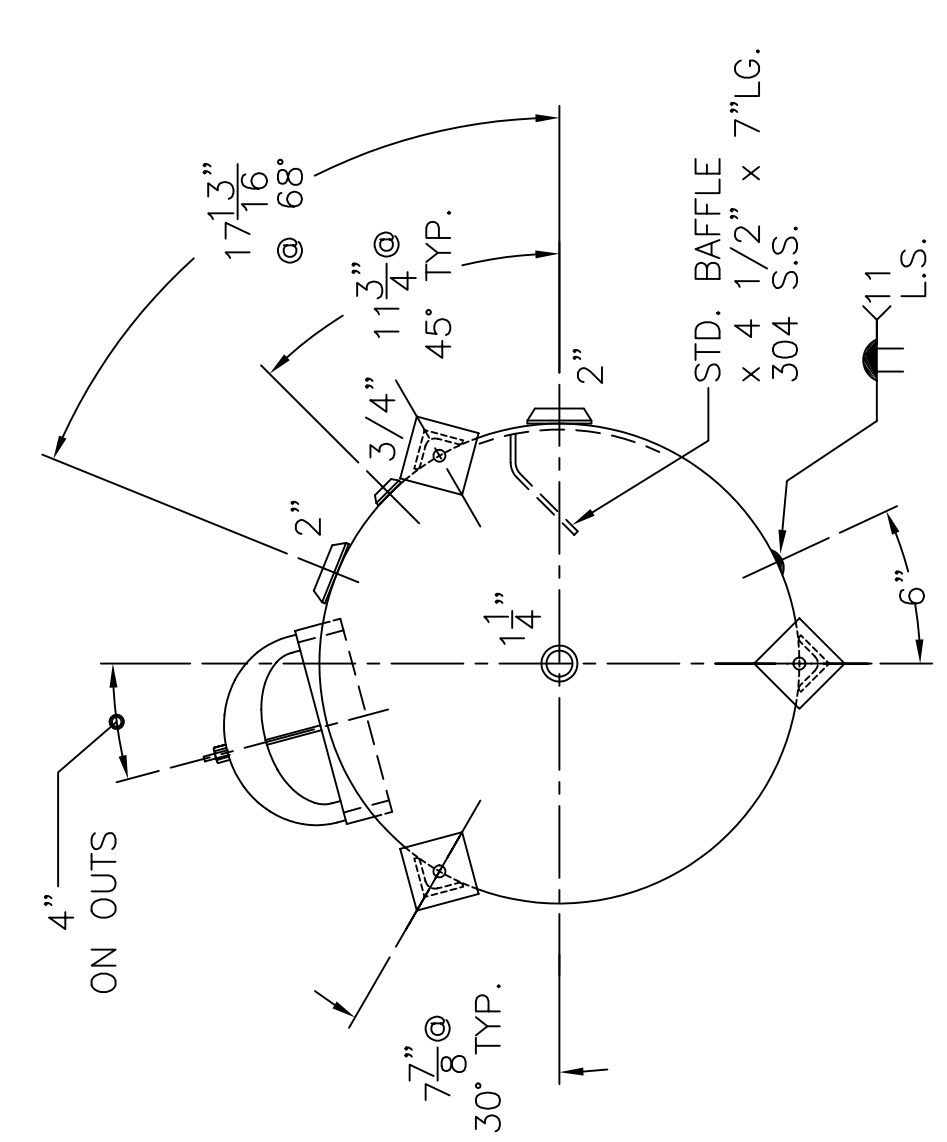


3) HYDRO @ 240 PSIG.
 2) 4/1/04 PROOF TEST.
 NOTE: 1) SHIP LOOSE W/(1) 1 5/16"x 24"LG. FLEX MAG. ANODE.



SHELL / HEADS	.166" SA-414-G 2:1 S.E.	GS-30-140-V	REV. 9-27-06
	JOGGLE - .179 OFFSET		DATE: 5-24-90
		FOR: HANSON STANDARD	
		VERT. WATER TANK	
	.165" SA-414-G	SURFACE AREA = 37.1 SQ. FT.	
		INSIDE: GLASS OR EPOXY	
		OUTSIDE: PRIME	
M.A.W.P. 160 PSIG. @ 210 °F		LEG-ZONE 4-15 KM.	
ASME. SECTION IV 2004 ADD 2005		BY: J.G.	SCALE: 1" = 12"
X-RAY: RT-NO / H.L.W.		ROY E. HANSON JR. MFG.	
GALLONS: 140	WT. 326 LBS.	1600 E. WASHINGTON BLVD.	
SERIAL NO.		LOS ANGELES, CA 90021	
N.B.			